



MOTOTECH
SYSTEM & CONTROL
An Investment In Good Performance

A.C. REVERSIBLE SYNCHRONOUS MOTOR (SERVO MOTOR)

ABOUT US MOTOTECH SYSTEM & CONTROL IS ONE OF THE GROWING COMPANY IN GUJARAT WHICH IS PRODUCING AN AC SYNCHRONOUS MOTOR IN 3KG TO UP TO 40 KG. IT HAS ESTABLISHED IN 2014.

THE COMPANY HAS BEEN PROVIDING EXCELLENT QUALITY IN MOTOR. BASED IN AHMEDABAD GUJARAT. INDIA.

VISION TO BE THE INTEGRATED MANUFACTURING COMPANY WITH THE GOAL TO PRODUCE WITH EXCELLENT QUALITY IN THE AC SYNCHRONOUS MOTOR WITH GOOD PERFORMANCE AND PROVIDE THE BEST SERVICE TO OUR CUSTOMERS.

MISSION

- TO MAINTAIN OUR PRODUCT QUALITY AND TRANSPARENCY
- TO BE A WELL KNOWN AND REPUTABLE COMPANY
- TO ENRICH OUR EXPERIENCE IN THE MANUFACTURING FIRM
- WILL BE A PUBLIC COMPANY

WE BELIEVE



In customer satisfaction

In qualitative performance

WHY?

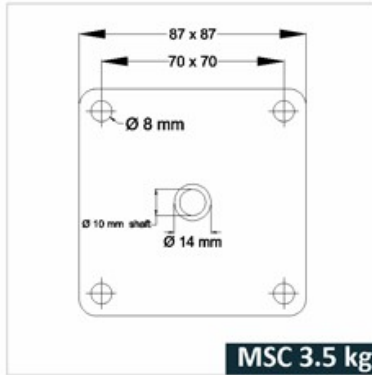
1st Thought of school day

“It is the cost to attain quality”

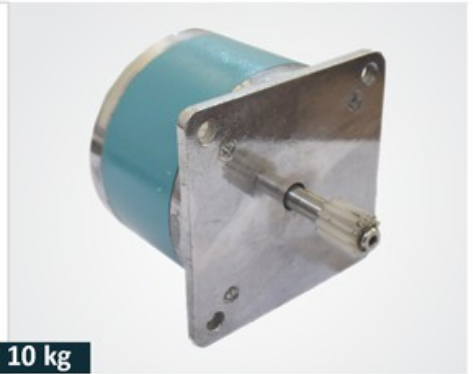
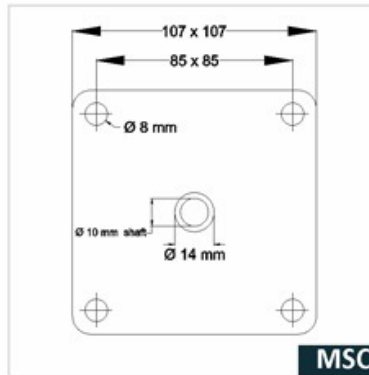
2nd Thought of school day:

“ It is the extra cost occurred due to poor quality”

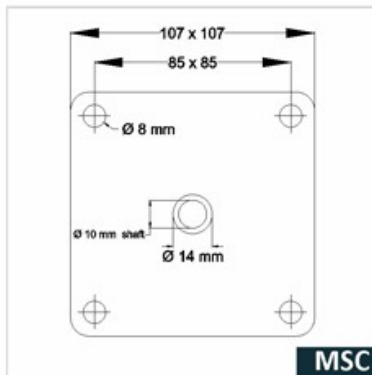
– *“Quality is fitness for use”*



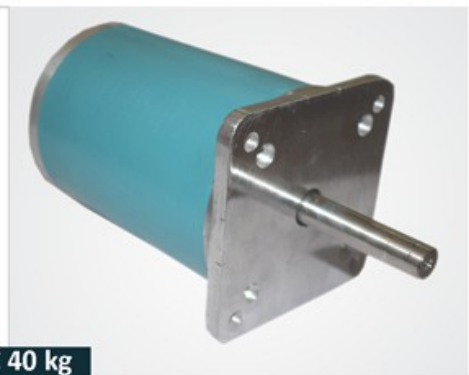
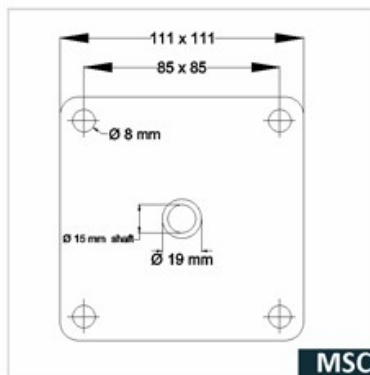
MSC 3.5 kg & MSC 7 kg



MSC 10 kg

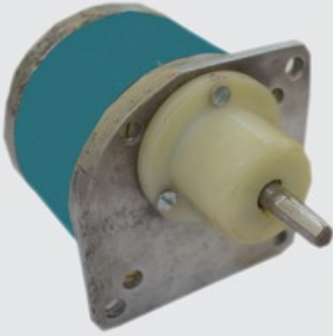


MSC 20 kg

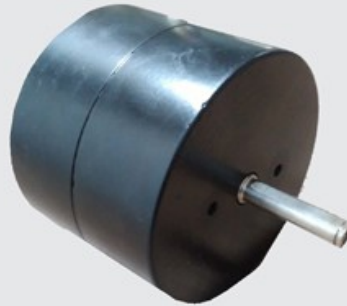


MSC 40 kg

“Quality is the art of getting your own sweet way”



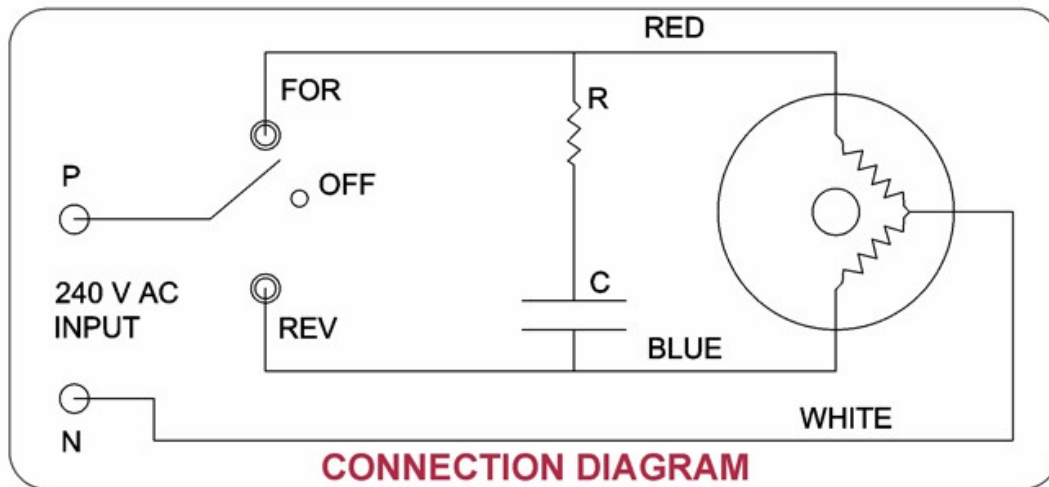
**3.5 KG Diamond
Machine Motor**



2.5 KG 2 PCS Motor



**RC NETWORK
3 TO 40 KG**



Application:

- Diamond machines.
- Precise positioning.
- Valve Controls.
- Conveyor Systems.
- Pharmaceutical Industries
- Automated Welding Equipments.
- Actuators, Fluid Metering
- Textile edge guide control
- Paper Feed
- Medical Equipments
- Packaging Industries
- Lab Equipment

Special Features:

- Bi-Directional
- Instantaneous Start, Stop & Reverse
- Identical Starting & Running Currents
- Residual Torque always present
- No Damage due to Stalling
- Low Speed of 60 RPM@50 Hz



Phone : +91 9510424004
+91 9898131074

87, Part-1, Parishikhar Cottage Ind. Estate, Nr. Ramol Toll Plaza, S. P. Ring Road,
Vastral-Ramol, Ahmedabad.

Email : mototech1212@gmail.com • www.mototechsystem.com